

VON DUPRIN®

55 Series

Exit devices



The Von Duprin 55 Series is a range of push bar exit devices designed to suit single and double door applications with narrow stiles. The 55 Series can be used on aluminium hollow metal or wood commercial doors. Available as rim and concealed mounted vertical rod devices.

The 55 Series has an architectural look, differing from the push-pads offered by Von Duprin and has the added advantage of being field sizeable to suit doors as narrow as 600mm.

Features

- Handed
- Field sizeable to accommodate a range of door openings
- Rim device has deadlocking latch with 19mm throw
- Vertical rod device has fully concealed rods, deadlocking bolts with 16mm throw and are suitable for doors to 2438mm
- Suitable for doors 600mm to 1220mm wide
- Optional external trims for key access available
- The 10 year warranty provides specifiers and users with assured quality and performance

Specification guide

Code prefix	Model	Length	Finish
VD	Rim device55EO Vertical rod device 5527EO	1067mm 1067	Satin chrome plate SCP

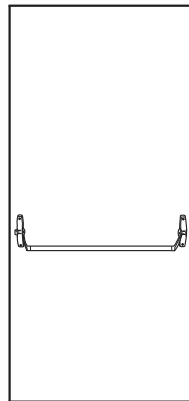
- Code prefix
All codes are prefixed with VD
- Model
Select the desired model e.g. Rim device VD55EO
- Length
Select the desired length e.g. 1067mm VD55EO-1067
- Finish
Select the desired finish e.g. Satin chrome plate VD55EO-1067SCP

Applications

Single door VD55EO

55 Rim device

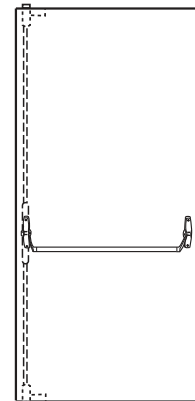
Minimum stile width 44mm with standard 1409 strike



Single door VD5527EO

5527 Vertical rod device

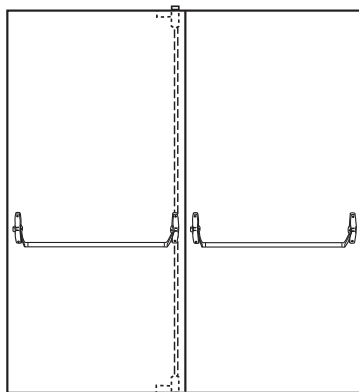
Minimum stile width 44mm



Double rebated door VDDR55

55 Rim device, 5527 vertical rod device, 1609 strike

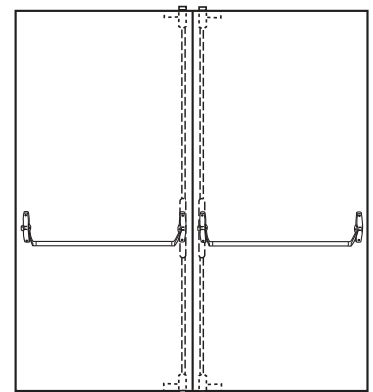
Minimum stile width 44mm



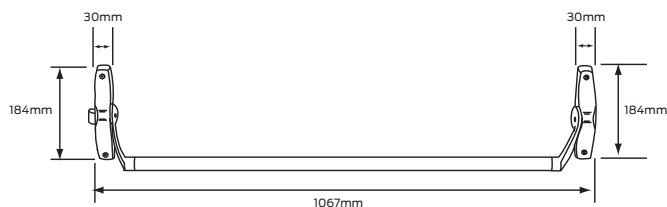
Double non-rebated door VDDD5527

2 x 5527 Vertical rod device

Minimum stile width 44mm



VD55EO Exit Only Rim Device



Features

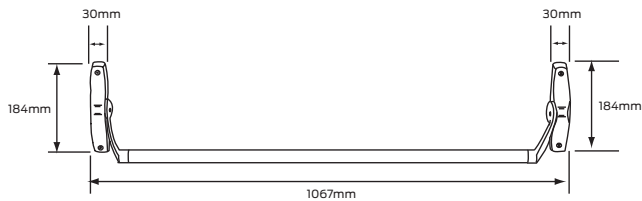
- Suitable for all types of single doors
- Can be used in conjunction with a 5547EO vertical rod device and 1609 strike for double rebated door applications
- Field sizeable, to accommodate a range of door openings
- Single point locking device, with a 19mm throw deadlocking latch
- The hex key dogging allows the latch to be held in a retracted position
- A dull black 1409 strike is supplied with the device as standard
- Supplied with all fixing hardware and hex dogging key

Specifications

Door thickness	44mm minimum for both timber and metal doors
Stile width	44mm minimum with standard 1409 strike
Door width	600mm minimum
Handing	Handed
Latch	19mm throw, deadlocking
Length	1067mm
Dogging	Hex key dogging
Finish	Satin chrome plate
Warranty	10 year mechanical

VD5547EO Exit Only Concealed Vertical Rod Device

Features



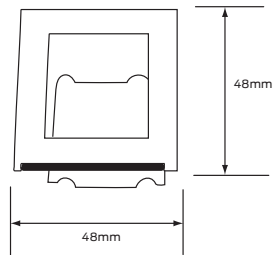
- Suitable for all types of single doors
- Can be used in conjunction with another 5547EO for double non-rebated door applications
- For rebated double door applications the 5547EO should be used in conjunction with a 55EO rim device and 1609 strike
- Optional extension rods available for doors over 2438mm high
- Field sizeable to accommodate a range of door openings
- Multi-point locking device, with 16mm throw deadlocking top and bottom latch
- 471U, 338 and 304L strikes supplied as standard
- The hex key dogging allows the latch to be held in a retracted position
- Optional outside trim available
- For timber door applications refer to your Allegion representative

Specifications

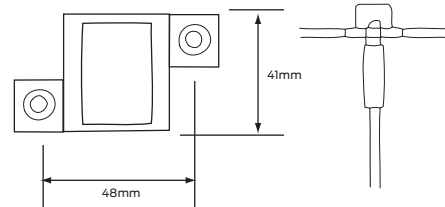
Door thickness	44mm minimum for both timber and metal doors
Stile width	44mm minimum
Door width	600mm minimum
Door height	2438mm standard
Handing	Handed
Latch	16mm throw, deadlocking
Length	1067mm
Dogging	Hex key dogging
Finish	Satin chrome plate
Warranty	10 year mechanical

Suitable strikes for VD5547EO

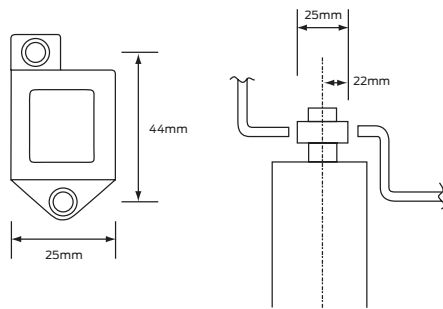
304L



338



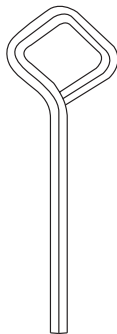
471U



55 Series accessories

Hex dogging key

Dogging key supplied standard with all exit device with dogging feature.





ALLEGION™

PIONEERING SAFETY™

We are
Allegion